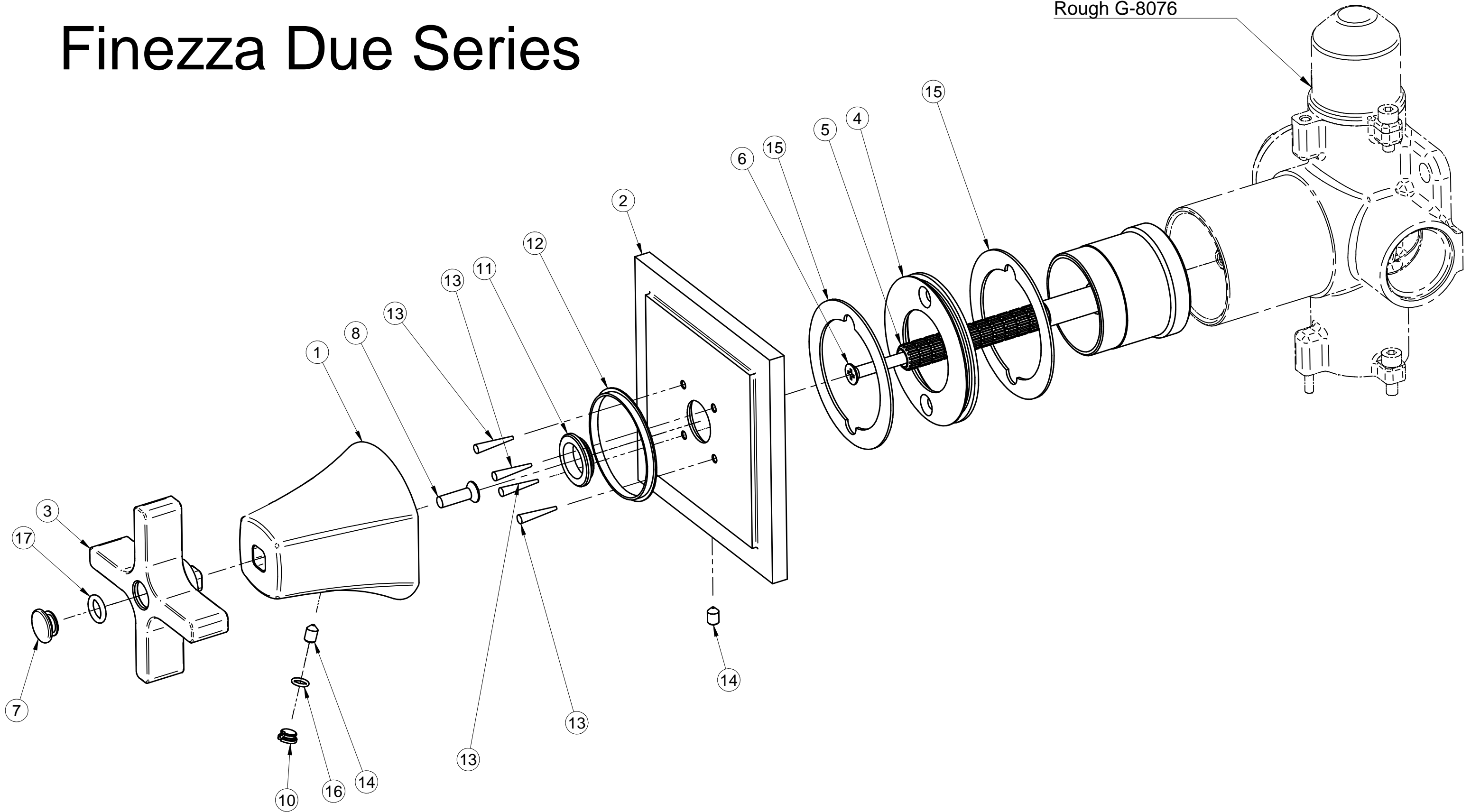


# G-8199-C15E1-T

## Finezza Due Series

Rough G-8076



**GRAFF**<sup>®</sup>  
CUTTING EDGE DESIGN